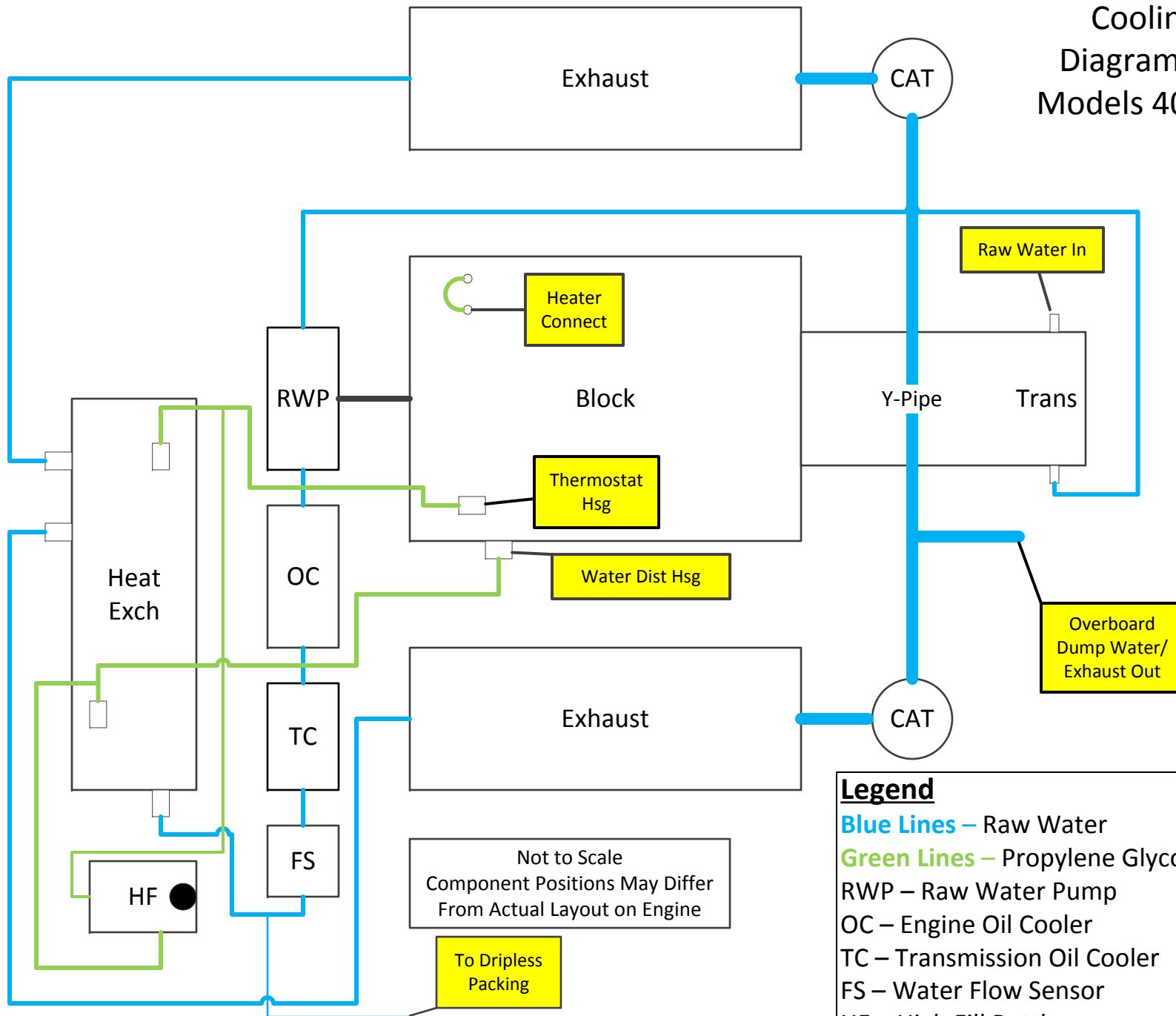


Cooling Flow Diagram Ford 6.2 Models 400 and 440



Not to Scale
Component Positions May Differ
From Actual Layout on Engine

To Dripless
Packing

- Legend**
- Blue Lines – Raw Water
 - Green Lines – Propylene Glycol
 - RWP – Raw Water Pump
 - OC – Engine Oil Cooler
 - TC – Transmission Oil Cooler
 - FS – Water Flow Sensor
 - HF – High Fill Bottle